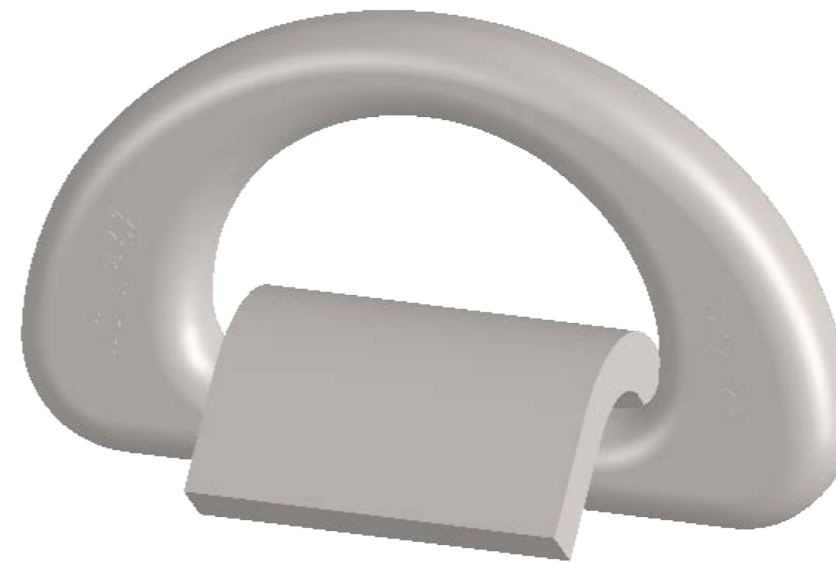
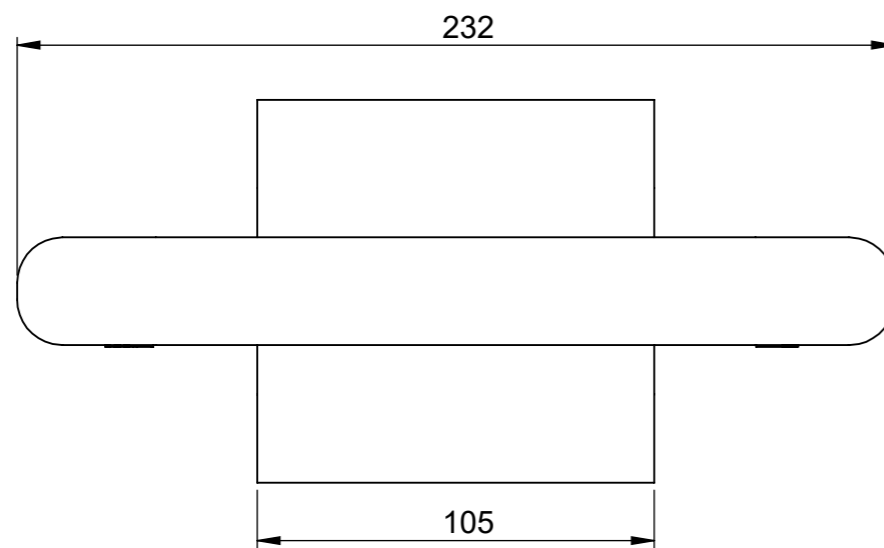


A-A



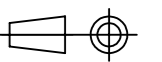
N°	Product Ref.	Material	Finish	QTY.
1	LP-67-R	EN-18	Hot dip galvanized	1
2	LP-67-S	ST-32	Primer painted	1

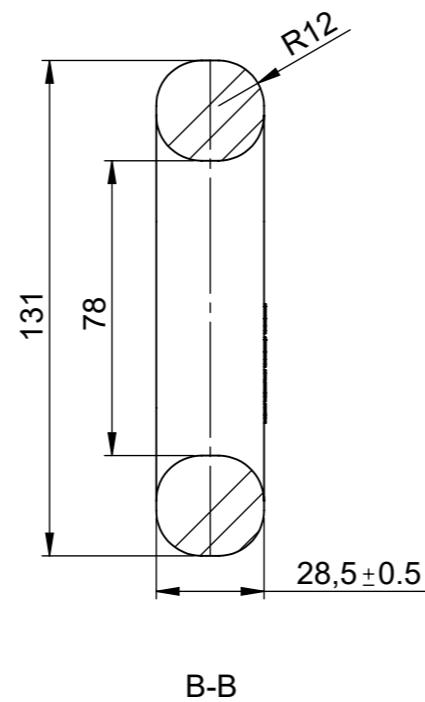
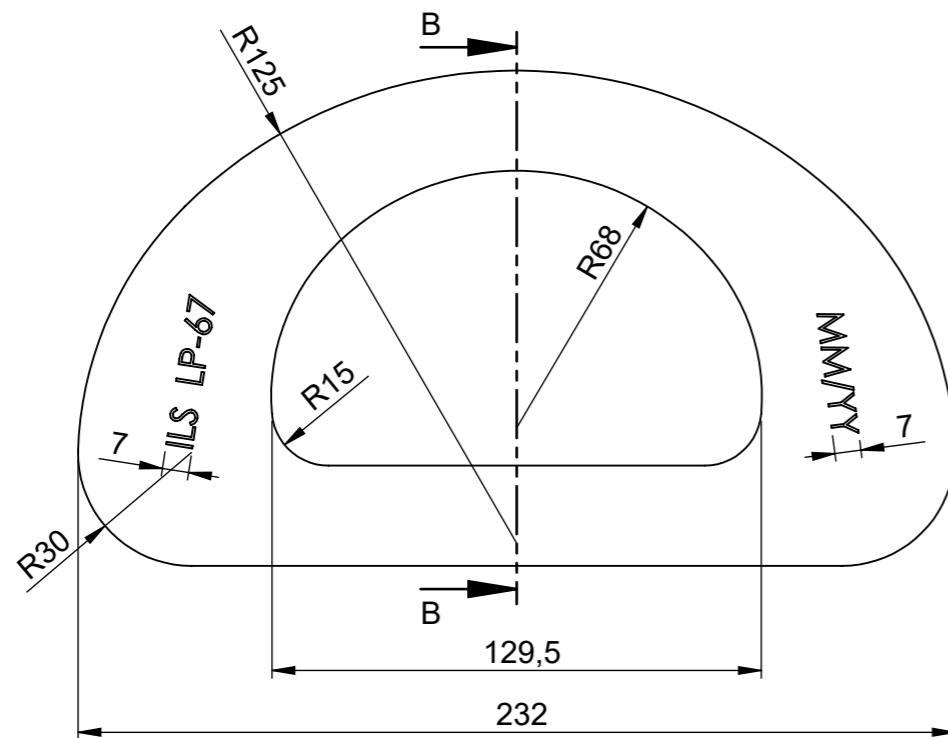
Specifications:	Loads:	Shear	Tension	2						
Total weight: 4.4 kg	Breaking load BL		670 kN	1	New drawing	24/11/2020	MDH	BVQ	AC	
MARKING: ILS + PRODUCT CODE BATCH NUMBER MM: MONTH OF PRODUCTION YY: YEAR OF PRODUCTION	Proof load PL		419 kN	Rev.	Description of issue	Date	Drawn by	Checked by	Approved by	
	Safe working load SWL		335 kN	Product ref.: LP-67					Status: APPROVED	
				Title: SINGLE D-RING 67T					Scale: 1:2 Format: A3	

Ownership of International Lashing Systems n.v. Duplication or disclosure to third parties in any form whatsoever, is prohibited without written permission of the owner.



Phone: +32-3-234.28.80
Website: www.ils.be
E-mail: info@ils.be





REMARKS:

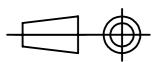
1. ALL EDGES TO BE CHAMFERED
2. SHOTBLASTED SA 2.5
3. MATERIAL: EN-18 (40Cr) (GB/T8 162-1999)
Rm≥980MPa, ReH≥785MPa,
A5≥9%, Z≥45%, KV≥27J (-20°C)
4. TOLERANCE: +- 1mm
5. MARKINGS: ILS + PRODUCTCODE
BATCHNUMBER
MM: MONTH OF PRODUCTION
YY: YEAR OF PRODUCTION

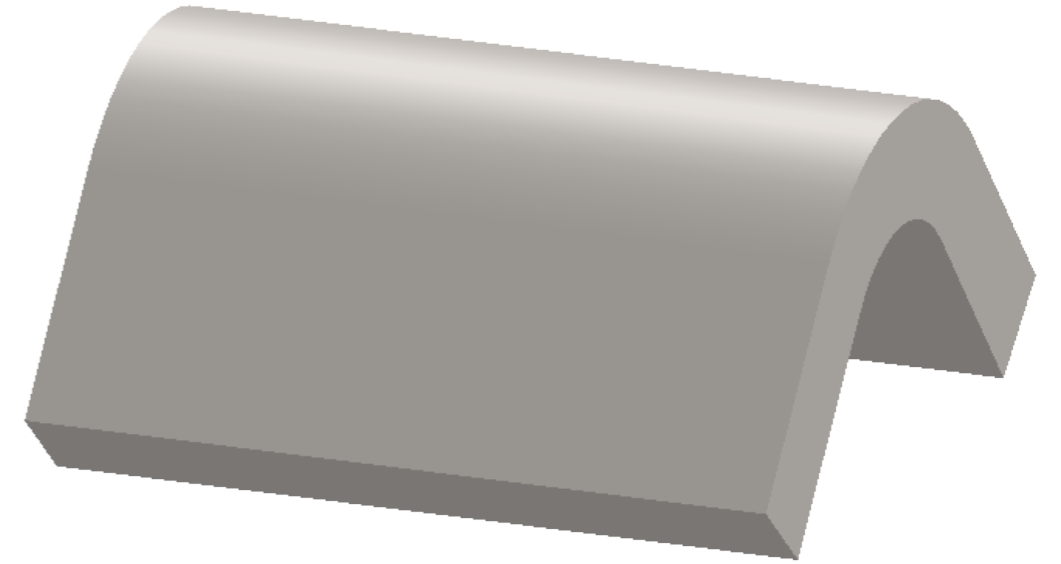
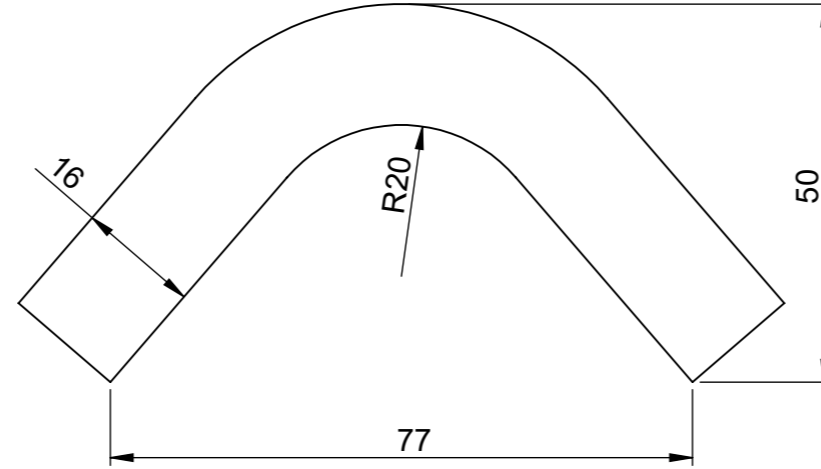
Specifications:	Loads:	Shear	Tension	2						
Material: EN-18	Breaking load BL		670 kN	1	New drawing	24/11/2020	MDH	BVQ	AC	
Finish: Hot dip galvanized	Proof load PL		419 kN	Rev.	Description of issue	Date	Drawn by	Checked by	Approved by	
Total weight: 3.15 kg	Safe working load SWL		335 kN	Product ref.: LP-67-R					Status: APPROVED	
				Title: SINGLE D-RING 67T					Scale: 1:2 Format: A3	

Ownership of International Lashing Systems n.v. Duplication or disclosure to third parties in any form whatsoever, is prohibited without written permission of the owner.



Phone: +32-3-234.28.80
Website: www.ils.be
E-mail: info@ils.be

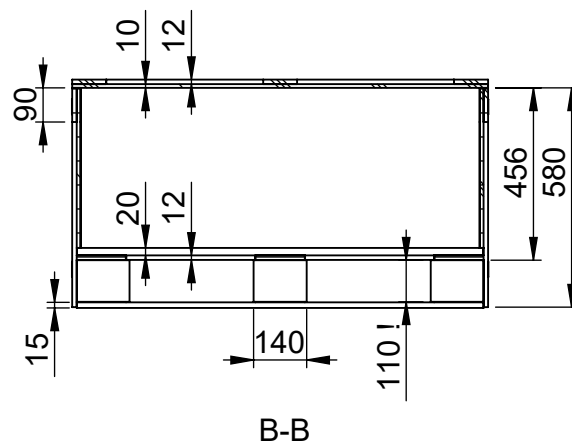
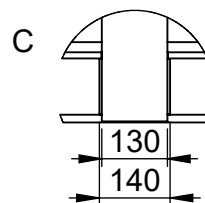
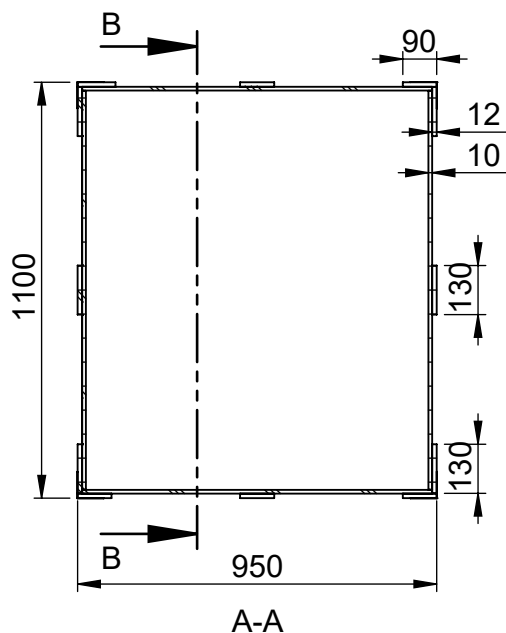
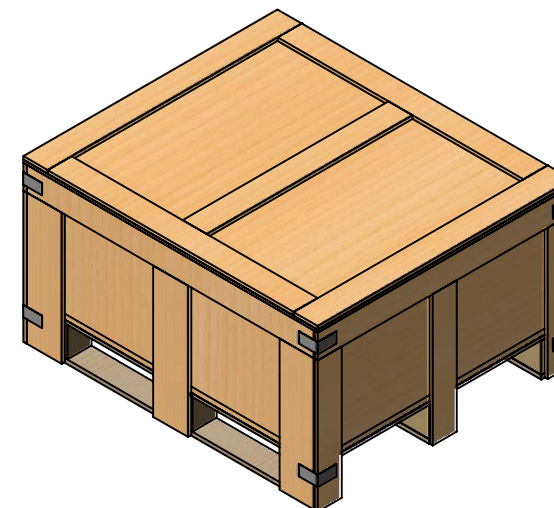
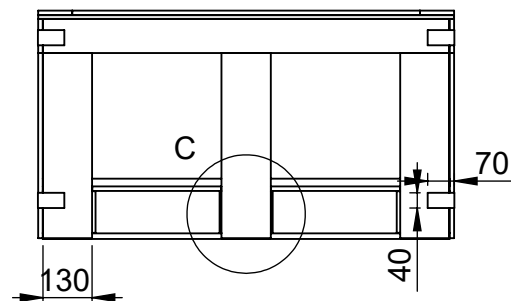
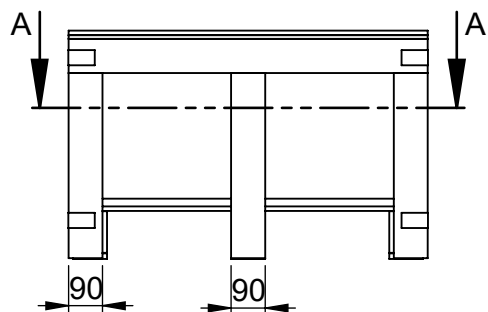




REMARKS:

1. ALL EDGES TO BE CHAMFERED
2. SHOTBLASTTED SA 2.5
3. MATERIAL: ST-32 (Q355B) (T10)
KV≥34J (20°C)
4. TOLERANCE: +- 1mm

Specifications:		Loads:		Shear	Tension	2					
Material: ST-32		Breaking load	BL		670 kN	1	New drawing	24/11/2020	MDH	BVQ	AC
Finish: Primer painted		Proof load	PL		419 kN	Rev.	Description of issue	Date	Drawn by	Checked by	Approved by
Total weight: 1.45 kg		Safe working load	SWL		335 kN	Product ref.: LP-67-S					Status: APPROVED
						Title: STRAP FOR D-RING 67T					Scale: 1:1 Format: A3
Ownership of International Lashing Systems n.v. Duplication or disclosure to third parties in any form whatsoever, is prohibited without written permission of the owner.				 ILS International Lashing Systems <i>How secure is your cargo?</i>		Phone: +32-3-234.28.80 Website: www.ils.be E-mail: info@ils.be					



Remarks:

1. Box should be made of veneer (poplar) wood.
2. Wooden blocks of pallet must be made of solid wood - not plywood!
3. The side boards must cover the pallet blocks.
4. Important!: opening underneath the box must be minimum 110 mm in order to secure safe handling of the box with a pallet jack.

Specifications:

Number of pieces in box: 200 st

Net. weight: 880 kg

Gross. weight: 940 kg

Product ref.: **LP-67**

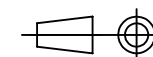
Title: **SINGLE D-RING 67T**

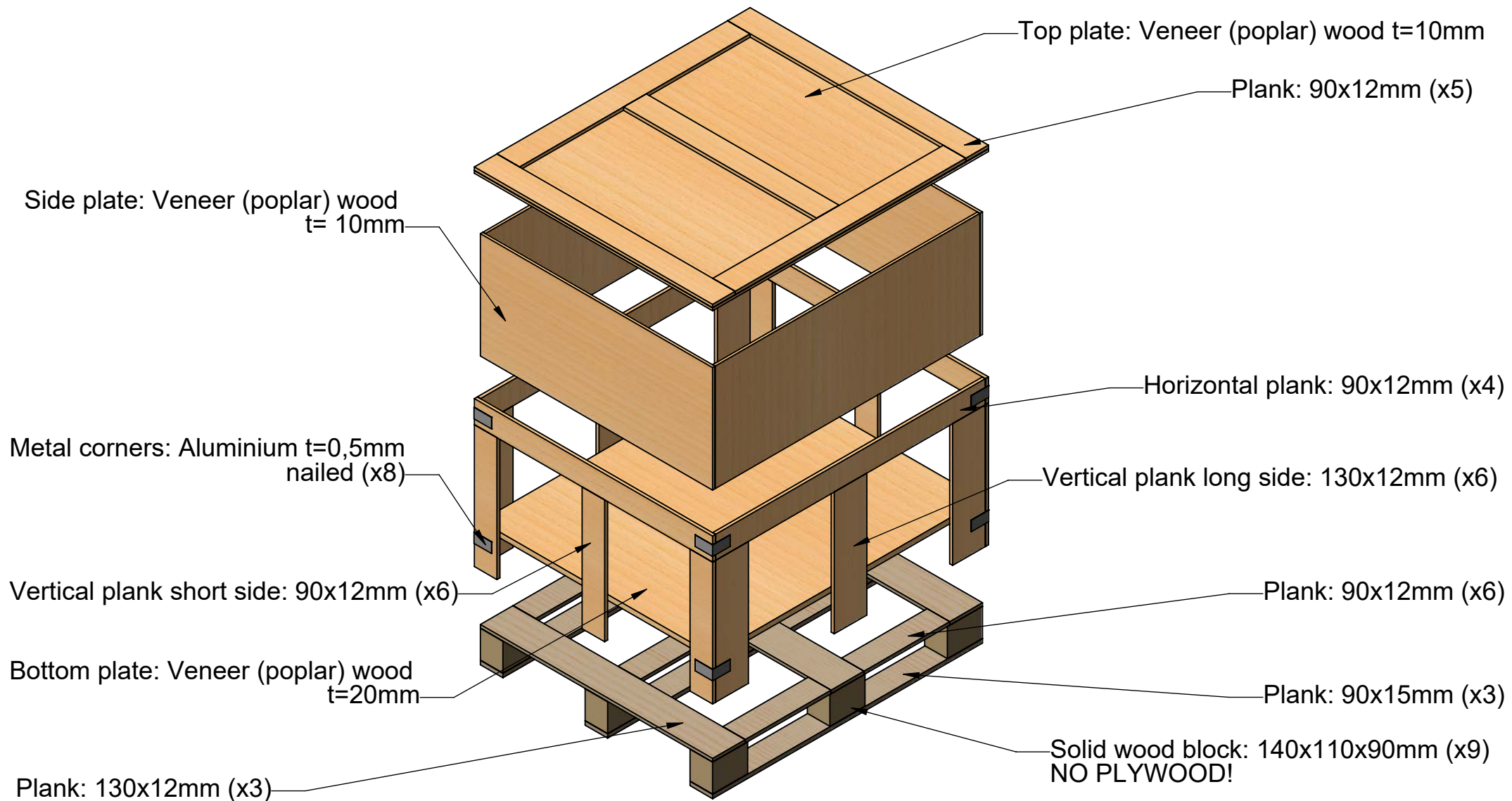
Ownership of International Lashing Systems n.v. Duplication or disclosure to third parties in any form whatsoever, is prohibited without written permission of the owner.


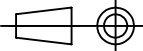
Format: A4

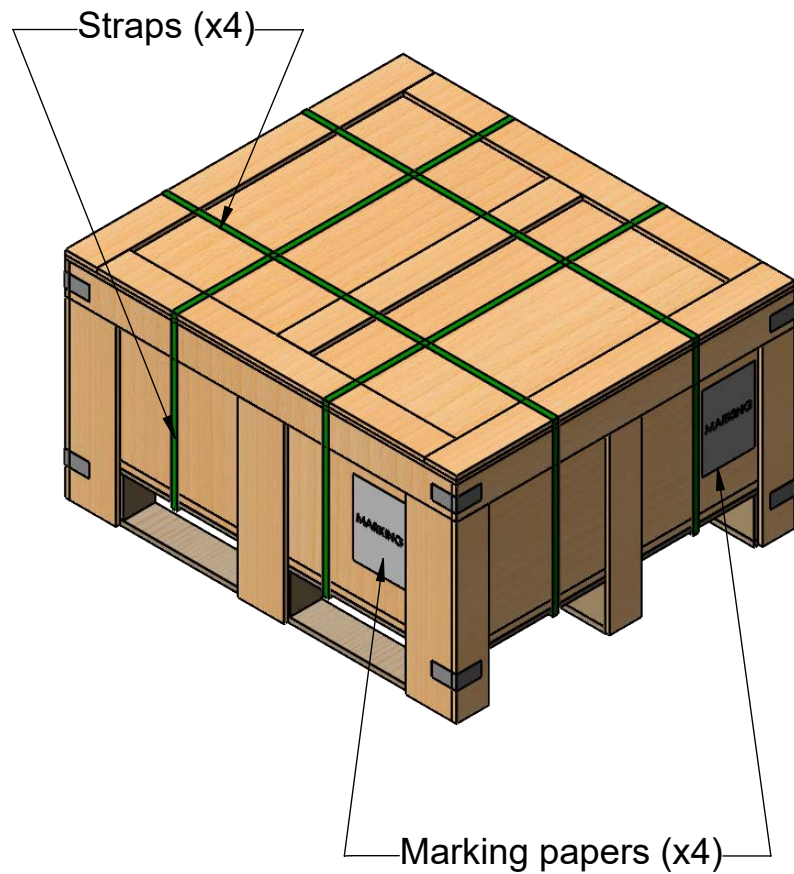


Phone: +32-3-234.28.80
 Website: www.ils.be
 E-mail: info@ils.be






Specifications:	Product ref.: LP-67	Title: SINGLE D-RING 67T
	Ownership of International Lashing Systems n.v. Duplication or disclosure to third parties in any form whatsoever, is prohibited without written permission of the owner.	
	 ILS International Lashing Systems <small>How secure is your cargo?</small>	Phone: +32-3-234.28.80 Website: www.ils.be E-mail: info@ils.be
		Format: A4 



Remarks:

1. Marking paper A5 size
Positioning: Front and back side - right upper corner
Left and right side - right upper corner
2. 4 green nylon straps around box.
The straps should be tightened around the box next to the marking papers.

Specifications:	Product ref.: LP-67	Title: SINGLE D-RING 67T
	Ownership of International Lashing Systems n.v. Duplication or disclosure to third parties in any form whatsoever, is prohibited without written permission of the owner.	
		Phone: +32-3-234.28.80 Website: www.ils.be E-mail: info@ils.be
		Format: A4 