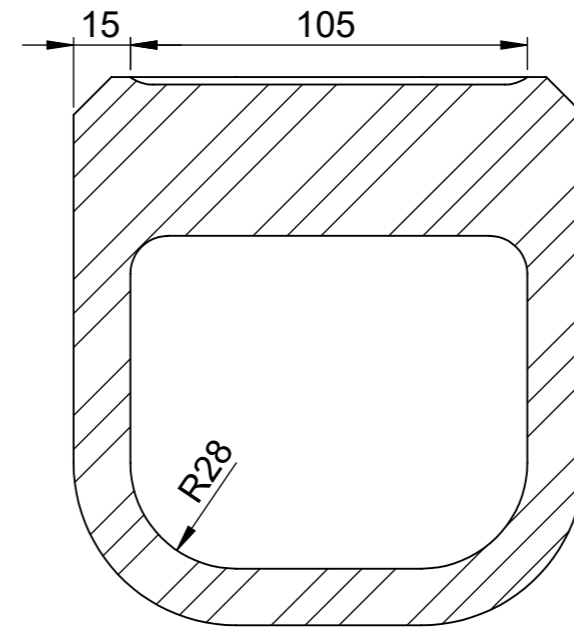
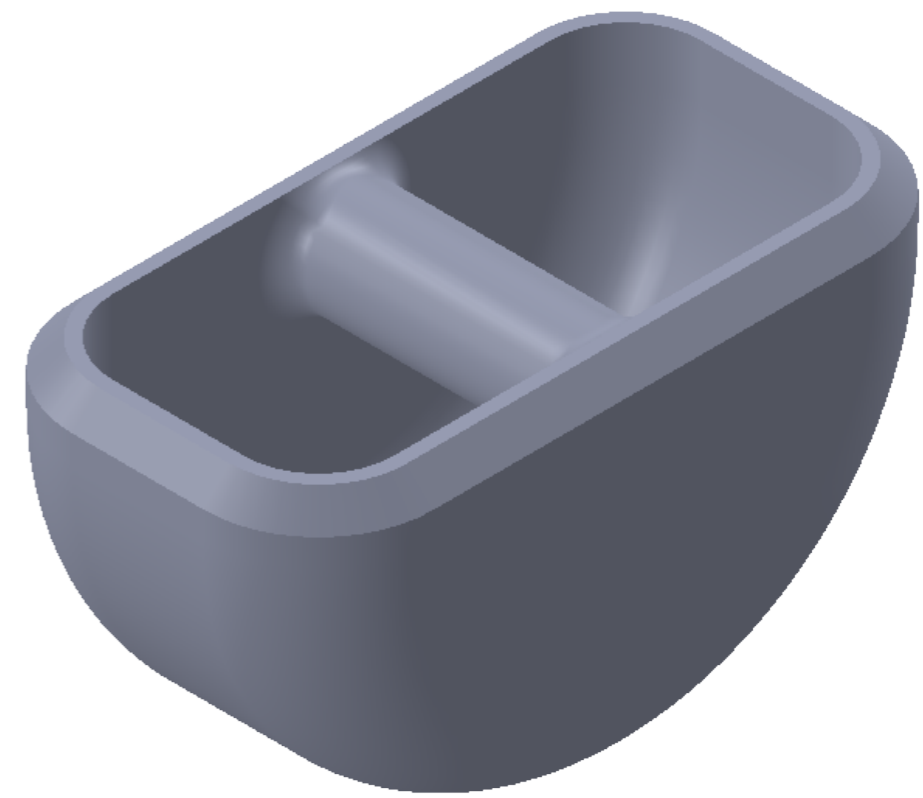
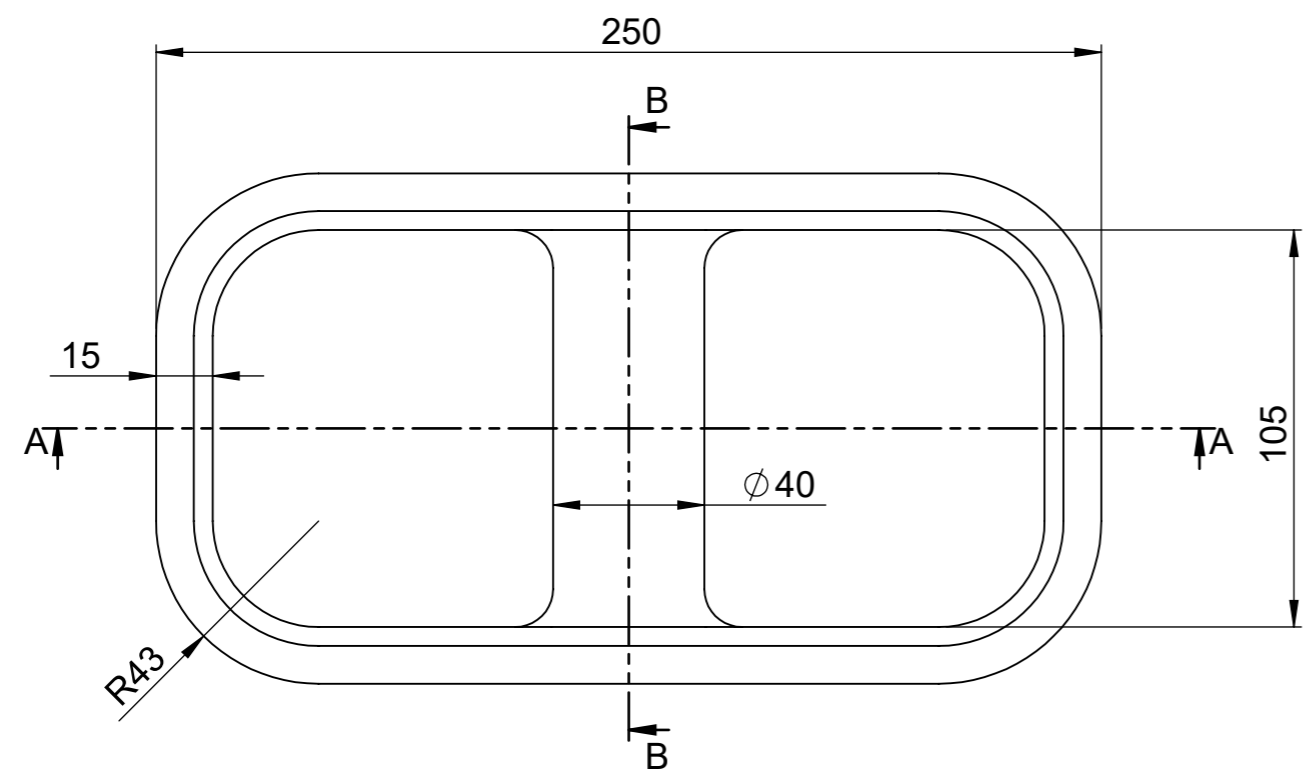


A-A



B-B



Specifications:		Loads:		Shear	Tension	2				
Material:	Breaking load	BL		360 kN		1	New drawing	18/03/2021	MDH	BVQ AC
Finish:	Proof load	PL		234 kN		Rev.	Description of issue	Date	Drawn by	Checked by
	Safe working load	SWL		180 kN		Product ref.: LP-31				Status: APPROVED
Total weight: 10.8 kg				Title: FLUSH LASHING POT			Scale: 1:2 Format: A3			
Ownership of International Lashing Systems n.v. Duplication or disclosure to third parties in any form whatsoever, is prohibited without written permission of the owner.				 ILS International Lashing Systems How secure is your cargo?			Phone: +32-3-234.28.80 Website: www.ils.be E-mail: info@ils.be			