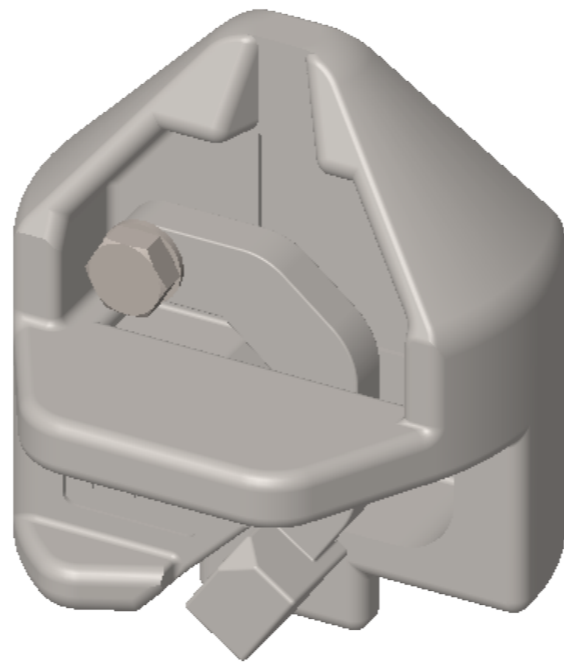
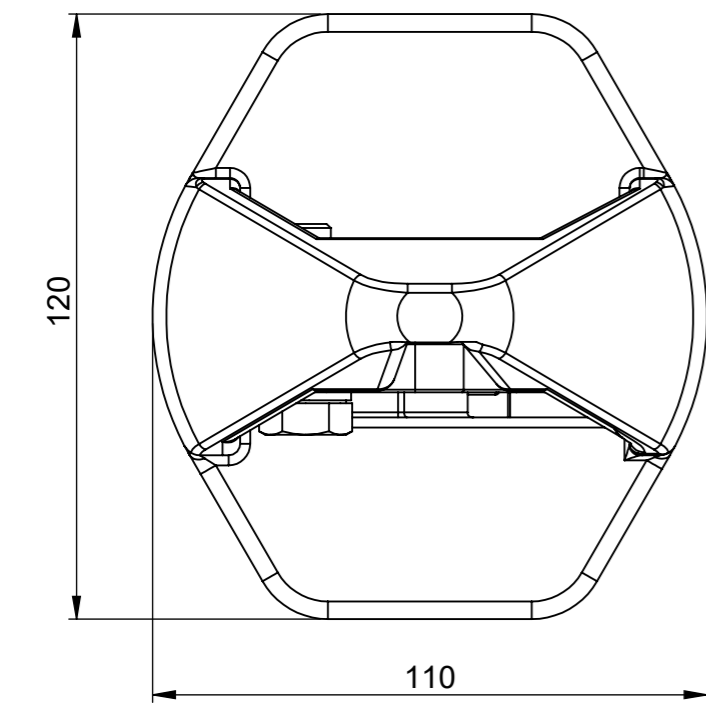
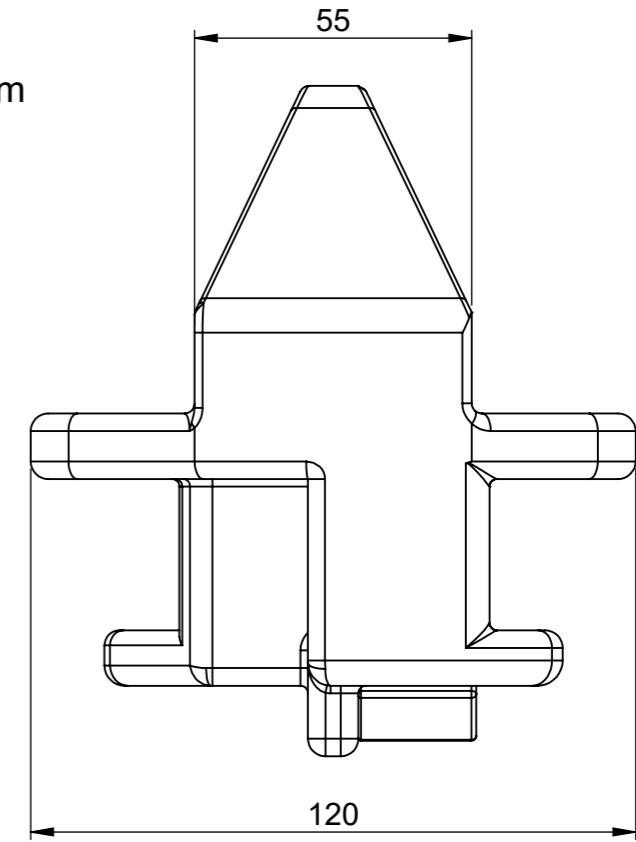


DIN 912 Bolt M10x35mm
 DIN 912 Nut M10
 DIN 433 Washer M10



N°	Product Ref.	Material	Finish	QTY.
1	IF-99-C	SCW480	Hot dip galvanized	1
2	IF-99-H	SCW480	Hot dip galvanized	1
3	IF-99-Bolt			1
4	IF-99-Washer			1
5	IF-99-Nut			1

Specifications:	Loads:	Shear	Tension	2					
Total weight: 3.0 kg	Breaking load BL	420 kN	500 kN	1	First drawing	31/07/19	MVW	BVQ	AC
MARKING: ILS + PRODUCT CODE BATCH NUMBER MM: MONTH OF PRODUCTION YY: YEAR OF PRODUCTION	Proof load PL	263 kN	313 kN	Rev.	Description of issue	Date	Drawn by	Checked by	Approved by
	Safe working load SWL	210 kN	250 kN	Product ref.: IF-99					Status: APPROVED
					Title: SELF HANGING STACKER				
					Scale: 1:1.5 Format: A3				

Ownership of International Lashing Systems n.v. Duplication or disclosure to third parties in any form whatsoever, is prohibited without written permission of the owner.



Phone: +32-3-234.28.80
 Website: www.ils.be
 E-mail: info@ils.be

